

Unique **POWER** Backup Solution for Discerning People !

- Micro controller based Intelligent Design
- Inbuilt 25Amps relay to facilitate direct load upto 4KW
- Electronic Overload cum short circuit protection
- Auto restart facility
- Designed for continuous operation at full-rated load
- Heavy duty SMPS based charger ensures quick Battery recharging, low maintenance and longer Battery life
- Battery Overcharging and Battery Low Protection
- User friendly LCD for Inverter status
- Compact and elegant design to suit your interiors



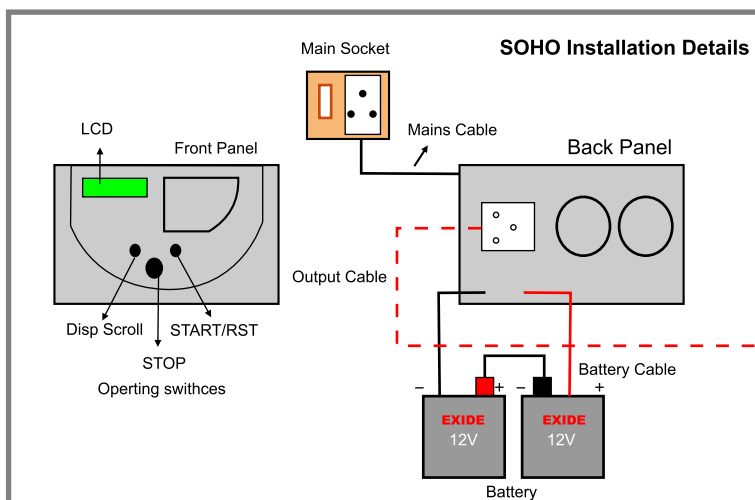
SOHO
Digital Sine Wave Inverter

TECHNICAL SPECIFICATIONS

PowerZen SOHO Series Digital Sine Wave Inverter

Model	PowerZen SOHO			
	1.2 KVA	1.5 KVA	2.5 KVA	3.5 KVA
Rating				
AC Input	160V to 270V AC Single Phase			
Frequency	50Hz \pm 6%			
Battery Voltage	12V	24V	36V	48V
Charging Current	20A	15A	10A	10A
Charger Type	SCR Based	SMPS Based		
INVERTER				
Technology	MOSFET Based PWM			
Output Voltage	230V AC Single Phase			
Voltage Regulation	\pm 2%			
Frequency	\pm 50Hz 0.5Hz			
Waveform	Pure Sine wave			
Harmonic Distortion	Less than 3%			
Inverter Efficiency	> 80%			
Power Factor	0.8			
Overload	105% continuous, up to 150% for 30 Sec. with auto restart after 10 Sec. for 5 attempts, Trips after 5 attempts			
Audible Noise	Less than 45 dB at 1 Meter			
STATUS DISPLAY				
Digital LCD Display	Micro controller based LCD display for Battery and Load Percentage, Mains and Inverter status, Battery Low and Overload Trip			
GENERAL				
Operating temperature	0°C to 50°C			
Humidity	Max. 95%, Non-condensing			
Dimensions (L x W x H) mm	350 x 325 x 180	350 x 325 x 180	350 x 325 x 180	450 x 450 x 210 mm
Weight Kgs	18 Kgs	25 Kgs	35 Kgs	55Kgs
PROTECTIONS				
Output Overload & Short circuit, Output Over voltage, Battery Low, Mains Input under & Over voltage				

* Specifications are subject to change without prior notice due to constant improvement in design & technology.



PAE LIMITED



Regd. & Corp. Office : 69, Tardeo Road, Mumbai- 400 034, India
 TEL : 022 6618 5799 FAX : 022 6618 5757 E-mail : powerzen@paelttd.com Website : www.paelttd.com

Our Nationwide Network

Vashi, Kolhapur, Nagpur, Ahmedabad, Baroda, Rajkot, Surat, Raipur, Indore, Chennai, Coimbatore, Madurai, Ernakulam, Calicut, Bangalore, Hubli, Mangalore, Hyderabad, Vishakapatnam, Delhi, Jaipur, Kanpur, Jalandhar, Kolkata, Silliguri, Ranchi, Cuttak